

Our Story

In 2011, Isomi was a lightbulb moment on the back of napkin. Today, it is the UK's leading designer and maker of contemporary commercial modular furniture.

It didn't happen overnight. Our success so far is the result of three people coming together with a shared vision. Nick Welsh and Jenny Davies had been at the forefront of solid surface furniture development for 20 years. Paul Crofts is a product and interior designer with a passion for process and a profound material understanding.

We began with a two-pronged problem: waste and inefficiency in the making of bespoke solid-surface reception desks, coupled with the lack of inspiring design options in the off-the-shelf market. And we solved both.

We developed a design concept for a completely new kind of modular furniture system, one that offered architects and designers exceptional material and manufacturing quality, transparent pricing, and complete creative freedom to customise the desk to suit the space.

Since the beginning, we've been inventors, innovators and material explorers. From our very first product, we've looked for – and found – new ways to creatively inspire designers and architects, and give them the tools and tailor-made support they need to implement their vision with ease.

Although our purpose hasn't changed in the last ten years, our company and its product range have.

We've ventured into new materials, moved beyond reception desks, and expanded our reach internationally.



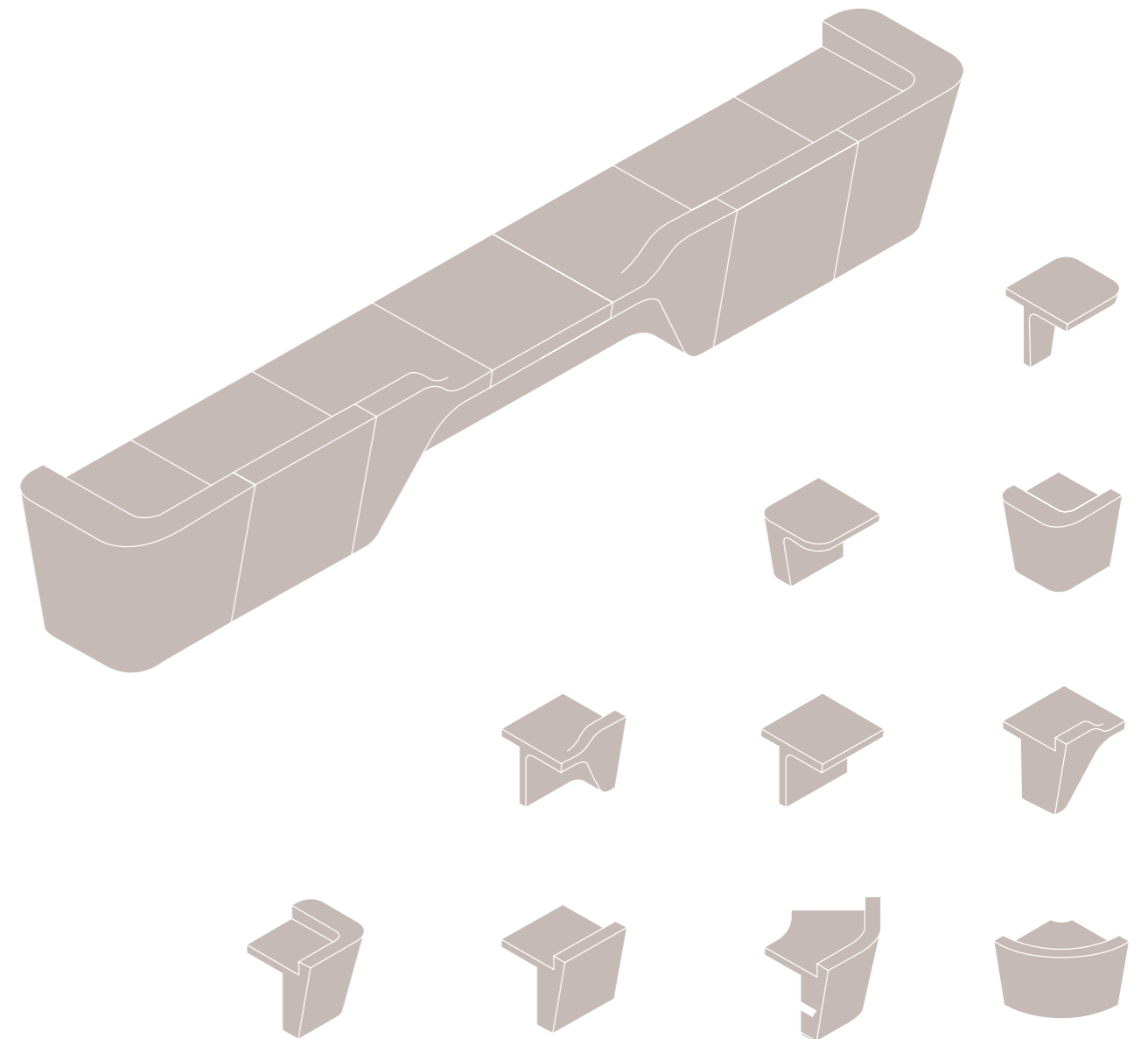
Jenny / Nick / Paul

Inspiration in the making



Modularity

The founding insight behind Isomi is modularity – the idea that, with a few beautifully crafted components, you can create an infinitely configurable furniture system to enhance commercial or public spaces of any size, shape and style. When we launched, Isomi's first fully modular product – the Mono desk – it represented a breakthrough. Combining the creative possibility of bespoke design with the production efficiency and transparency of off-the-shelf, it was the very first modular solid surface desk system on the market. We continued this sector-leading innovation in the years that followed, finding new ways to introduce modular principles to other materials and furniture items. Today, we offer architects and designers an extraordinary selection of customisable furniture systems for reception areas and beyond.



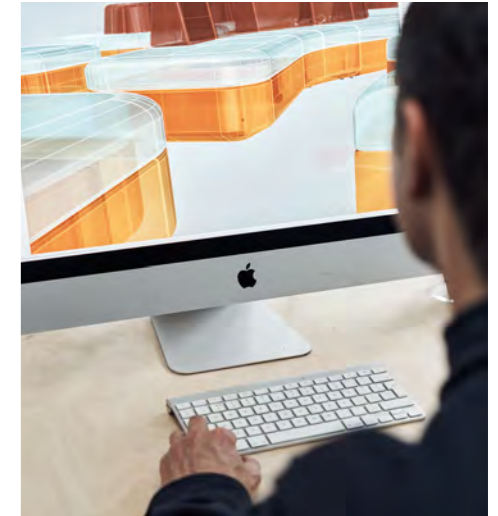
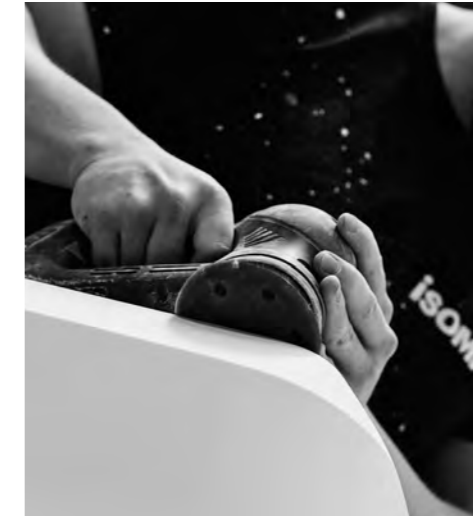
Design

The look of Isomi furniture is down to the vision of our co-founder, the award-winning designer, Paul Crofts, who has designed every product since the company's inception. Paul's fascination for materials, his clean, sculptural aesthetic, and his in-depth knowledge of manufacturing processes have shaped the look and feel of Isomi furniture – and the ingenuity of his modular systems have ensured their appeal to architects and designers worldwide. Combining raw materiality, clean lines and contours and an almost Scandinavian simplicity, each module in every Isomi product family is 'designed for designers' – a building block from which limitless creative possibilities can be realised.



Craftsmanship

Fitted and finished by hand, every Isomi furniture element requires the highest level of craft skills and a near obsessive attention to detail to create. Our expert manufacturing team are driven and inspired by the possibilities of materials and processes, constantly exploring and perfecting different methods of cutting, fixing and finishing materials in ways that allow their inherent properties to shine. It is this relentless curiosity, experimental approach, and dedication to honest material expression that ensures we are always learning, mastering and advancing new production methods, developing new tools, and pushing at the boundaries of the possible.





View product
 Download specification (mm)
 Download specification (inches)

Free-flowing in form, Join seamlessly combines linear machined timber with soft curves. Subtle shadows created by the chamfered edge profile add visual depth, highlighting and celebrating the natural variations of the oak, ash and walnut profiles.

View product
 Download specification (mm)
 Download specification (inches)





[View product](#)

[Download specification \(mm\)](#)

[Download specification \(inches\)](#)

Layer is an endlessly flexible mix-and-match desk system designed for longevity, replaceability, and material variety. Clip-on panels can be fixed into place easily, creating a versatile frame with near endless possibilities.

Product Design Consultant **Gensler**



Surprisingly flexible and with a clean monochrome finish, elegant angles and a minimal, geometric aesthetic.

[View product](#)

[Download specification \(mm\)](#)

[Download specification \(inches\)](#)





View product
 Download specification (mm)
 Download specification (inches)

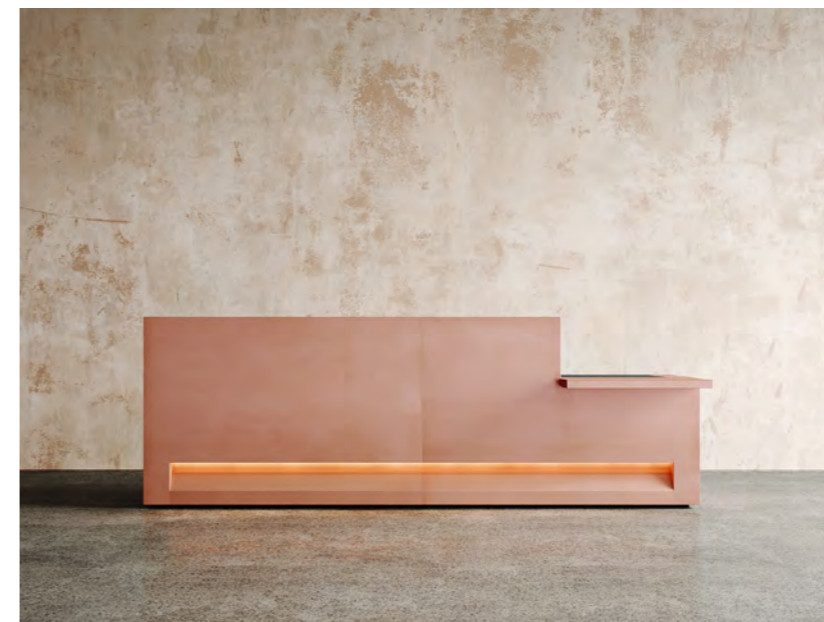


View product
 Download specification (mm)
 Download specification (inches)

Contemporary, minimal aesthetic, the clean lines and right angles of the Blok range are achieved by modular components which are installed as one highly finished piece.



View product
 Download specification (mm)
 Download specification (inches)



View product
 Download specification (mm)
 Download specification (inches)



View product
 Download specification (mm)
 Download specification (inches)

Mono's flexible components adapt to any layout, creating a reception desk versatile for any space. Solid surface construction ensures a seamless, ultra-durable finish.

- [View product](#)
- [Download specification \(mm\)](#)
- [Download specification \(inches\)](#)



- [View product](#)
- [Download specification \(mm\)](#)
- [Download specification \(inches\)](#)





Tejo is a flexible, sustainable, modular seating system. Each module is made from natural, renewable and recyclable materials – cork, natural latex, flax, hemp and wool. With a variety of curved and straight module options available, Tejo can be configured and reconfigured in countless different ways.



[View product](#)
[Download specification \(mm\)](#)
[Download specification \(inches\)](#)





View product
 Download specification (mm)
 Download specification (inches)



View product
 Download specification (mm)
 Download specification (inches)



View product
 Download specification (mm)
 Download specification (inches)

The Knit One Modular System is a groundbreaking modular seating system that redefines upholstery from the inside out. Foam is replaced by air and traditional upholstery methods give way to 3D-knitted textiles, radically reducing material waste.

- [View product](#)
- [Download specification \(mm\)](#)
- [Download specification \(inches\)](#)



- [View product](#)
- [Download specification \(mm\)](#)
- [Download specification \(inches\)](#)



- [View product](#)
- [Download specification \(mm\)](#)
- [Download specification \(inches\)](#)



[View product](#)
[Download specification \(mm\)](#)
[Download specification \(inches\)](#)

Crafted entirely from waste cork reclaimed from discarded wine stoppers, Arbor Stool not only minimises waste but also supports biodiversity protected by responsibly managed cork forests. Harvested without harming the cork oak tree, cork naturally regenerates, ensuring an ongoing cycle of renewal and carbon sequestration throughout its life. Naturally fire-resistant, hypoallergenic, and lightweight yet durable, cork is a compelling, low-impact alternative to conventional materials.

Lean and angular, our Slim Media Unit represents a sleek new way to display screen-based information. Available in either floor-mounted or wall-mounted form, these pieces are finished in solid surface or hot-rolled steel material and can display translucent or digital graphics.



[View product](#)
[Download specification \(mm\)](#)
[Download specification \(inches\)](#)



[View product](#)
[Download specification \(mm\)](#)
[Download specification \(inches\)](#)

The Media Unit is produced in solid surface, giving each piece a seamless, highly durable finish that is ideal for hardworking areas. Available in single or double form, these ergonomic units are exceptionally user-friendly and can support all IT packages, whether standard or bespoke.



[View product](#)
[Download specification \(mm\)](#)
[Download specification \(inches\)](#)



[View product](#)
[Download specification \(mm\)](#)
[Download specification \(inches\)](#)

Join Table in Metal



[View product](#)
[Download specification \(mm\)](#)
[Download specification \(inches\)](#)



Tables

Join Table in Solid Surface

Paired back with a refined aesthetic, the award-winning Join Table contrasts natural and industrial materials, balancing rich tones and textures.



[View product](#)
[Download specification \(mm\)](#)
[Download specification \(inches\)](#)



Tables



[View product](#)
[Download specification \(mm\)](#)
[Download specification \(inches\)](#)

Holm Coffee Table is constructed almost entirely from recycled cork waste from wine stoppers.

The tinted glass top seamlessly integrates with the cork base, resting securely within a dedicated slot for a clean, minimalist aesthetic. Available in various dimensions to suit different needs, functioning as either a low coffee table or a tall side table.

Holm Table brings material innovation to the heart of shared spaces. Its sculptural cork base supports a tabletop made from Richlite®, a high-performance material composed of post-consumer recycled paper and bio-resin. Originally developed for aerospace and industrial use, Richlite is non-porous, heat-resistant, and FSC-certified — offering a warm, stone-like surface with a dramatically reduced environmental footprint.

[View product](#)
[Download specification \(mm\)](#)
[Download specification \(inches\)](#)



Plus+ Table



Tables

Platform

Tables



Platform is designed for casual meetings, brainstorming sessions and breakout zones, offering a more agile work experience to help promote wellbeing in the workplace.

[View product](#)

[Download specification \(mm\)](#)

[Download specification \(inches\)](#)

The Plus+ Table is a versatile solution for a variety of functions.

Available in four sizes, it can serve as a bistro table, side table, or laptop table with its off-centered stem. Available in a range of powder-coated base colours and a profiled plywood top.

[View product](#)

[Download specification \(mm\)](#)

[Download specification \(inches\)](#)



View product
Download specification (mm)
Download specification (inches)



View product
Download specification (mm)
Download specification (inches)

View product
Download specification (mm)
Download specification (inches)



View product
Download specification (mm)
Download specification (inches)



View product
Download specification (mm)
Download specification (inches)

View product
Download specification (mm)
Download specification (inches)



Isomi Flo lectern and greeter range benefits from a highly considered design concealing function within form allowing Flo to sit equally comfortably when placed as an individual piece or arranged in a series.



Made in solid surface with optional oak storage and work surface, Umi sits comfortably in any contemporary setting, either as an individual piece or in a series.

- [View product](#)
- [Download specification \(mm\)](#)
- [Download specification \(inches\)](#)



- [View product](#)
- [Download specification \(mm\)](#)
- [Download specification \(inches\)](#)



[View product](#)
[Download specification \(mm\)](#)
[Download specification \(inches\)](#)



Produced in hot rolled steel with angled black MDF interiors, Linea can be customised with oak worktop and storage pairing natural and industrial materials in harmony.



[View product](#)
[Download specification \(mm\)](#)
[Download specification \(inches\)](#)



- [View product](#)
- [Download specification \(mm\)](#)
- [Download specification \(inches\)](#)

Blending form and function, Fora offers a tactile, natural presence for work, learning, or hospitality environments.



Metal Wall Panels

Walls

This modular system of wall panels in hand-selected hot rolled steel represents the successful application of a raw, unfinished industrial material in precise, minimal forms.

[View product](#)
[Download specification \(mm\)](#)
[Download specification \(inches\)](#)



Light Wall Panels

Walls

[View product](#)
[Download specification \(mm\)](#)
[Download specification \(inches\)](#)



Light Wall is a fixed wall cladding that can be customised with a variety of translucent patterns, with additional options including your company name, logo or message.

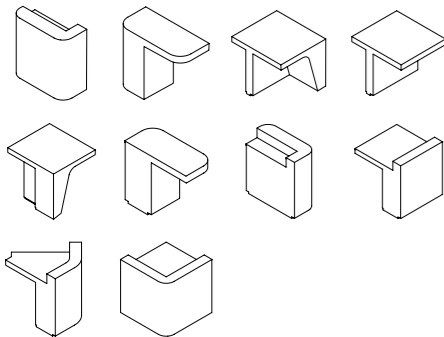
Join Desk

- CAD and BIM files available
- Easy to specify modular components
- Heights: 760mm (29.5"), 950mm (35.5") or 1100mm (43.5")
- DDA/ADA modules available
- Cable management included as standard
- Optional extras: integrated power, recessed branding, LED skirting, sign-in platform, privacy screens, storage units, sit-stand adjustable worktop, infrared heater
- Handed to the left or right
- Various colour options available

Finishes

Solid surface		Ash	
Hot-rolled steel		Oak	
		Walnut	


Modules



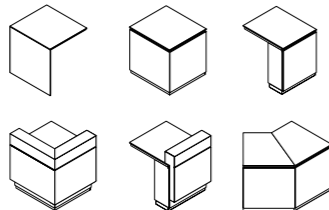
Layer Desk

- CAD and BIM files available
- Easy to specify modular components
- Changeable clip on panels
- Handed to the left or right
- Heights: 760mm (29.5"), 950mm (35.5"), 1100mm (43.5")
- DDA/ADA modules available
- Optional extras: integrated power, custom branding, LED skirting, sign-in platform, storage units, sit-stand adjustable worktop, infrared heater
- Various material and colour options available

Finishes

Solid surface		Bronze	
Charred wood		Tile	
Fluted timber		Veneer	
Fabric		Hot-rolled steel	

Modules



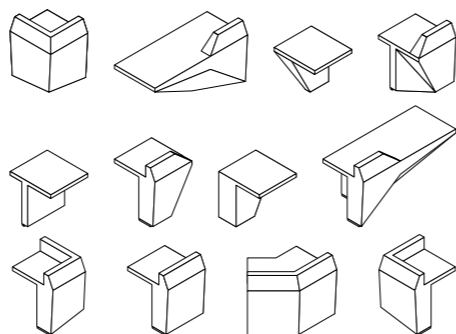
Fold Desk

- CAD and BIM files available
- Easy to specify modular components
- Heights: 760mm (29.5"), 950mm (35.5") or 1100mm (43.5")
- Optional extras: integrated power, custom branding, LED skirting, sign-in platform, storage units, sit-stand adjustable worktop, infrared heater
- DDA/ADA modules available
- Can be handed to the left or right
- Cable management included as standard
- Various colour options available

Finishes

Solid surface		Hot-rolled steel	
---------------	---	------------------	---





Modules



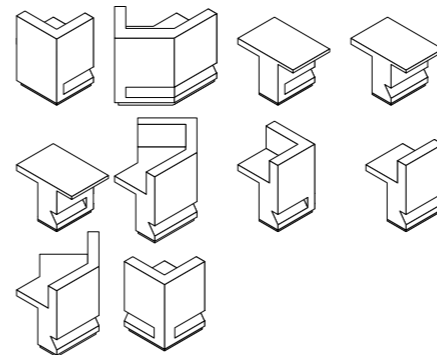
Blok Desk

- CAD and BIM files available
- Easy to specify modular components
- Heights: 760mm (29.5"), 950mm (35.5") or 1100mm (43.5")
- Optional extras: integrated power, custom branding, LED skirting, sign-in platform, storage units, sit-stand adjustable worktop, infrared heater
- Handed to the left or right
- DDA/ADA modules available
- Cable management included as standard
- Various materials and colour options available

Finishes

Solid surface		Brass	
		Copper	
		Hot-rolled steel	

Modules




For a full list of our solid surface, fabric and metal powder coated colours, please refer to our colour chart.

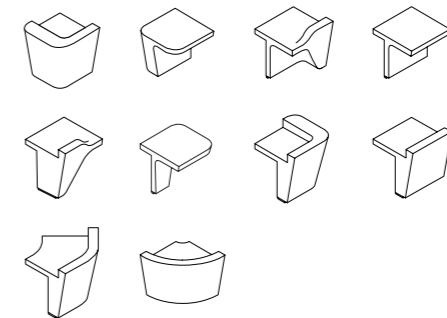
Mono Desk

- CAD and BIM files available
- Easy to specify modular components
- Seamless on installation
- Heights: 760mm (29.5"), 950mm (35.5") or 1100mm (43.5")
- DDA/ADA modules available
- Optional extras: integrated power, translucent branding, LED skirting, sign-in platform, storage units, sit-stand adjustable worktop, infrared heater
- Handed to the left or right
- Cable management included as standard
- Various colour options available

Finishes

Solid surface	
---------------	---

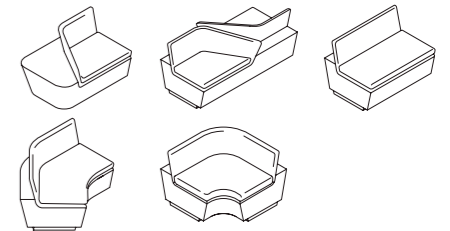
Modules



Finishes

Solid surface		Fabric	
---------------	---	--------	---

Modules



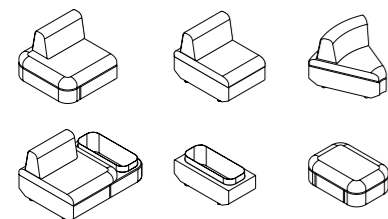
Tejo

- CAD and BIM files available
- Easy to specify modular components
- Depth: 600mm (23.5"), 875mm (34.5") or 1300mm (51")
- Optional extras: backrests, integrated power, planter, screen divider, table
- Available fully upholstered or with exposed cork base
- Natural latex
- Various fabric colour options available

Finishes



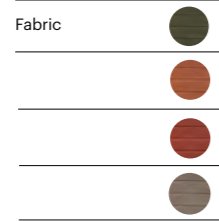
Modules



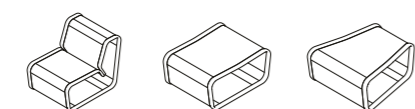
Knit One

- CAD and BIM files available
- Easy to specify modular components
- Optional extras: angled module, bolt-on solid wood side table
- Available in 3D-Knitted textile
- Various fabric colour options available

Finishes



Modules



Arbor Stool

- CAD and BIM files available
- Fully circular product
- Available on quickship

Finishes



Modules



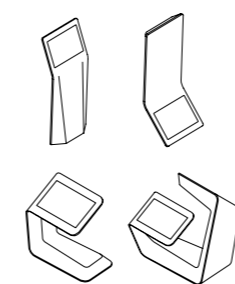
Media Unit

- CAD and BIM files available
- 22" IR touch-screen including PC as standard
- Wall or floor mounted

Finishes



Modules



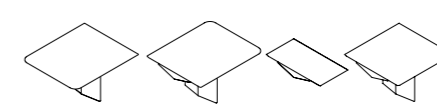
Join Table

- CAD and BIM files available
- Easy to specify modular components
- Integrated power and cable management as options

Finishes



Modules



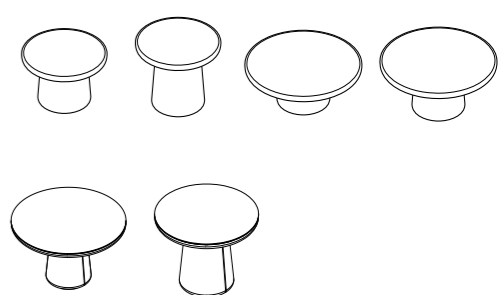
Holm Table

- CAD and BIM files available
- Tinted glass inset top available in bronze or grey
- Various sizes available

Finishes



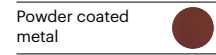
Modules



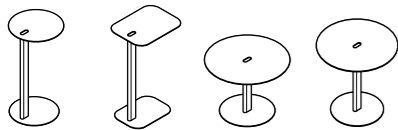
Plus table

- Key features**
- CAD and BIM files available
 - Various sizes available
 - Various colour options available

Finishes



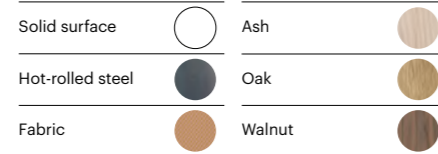
Modules



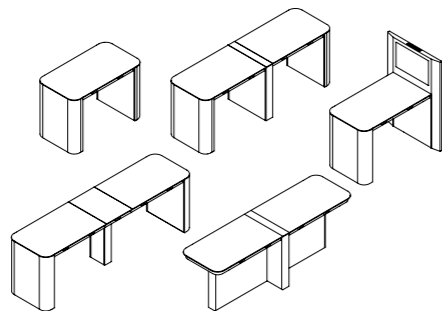
Platform Table

- CAD and BIM files available
- Easy to specify modular components
- Available with two base options: central pedestal or legs
- Integrated power and media wall available as options
- 32" screen including PC
- Various materials and colour options available

Finishes



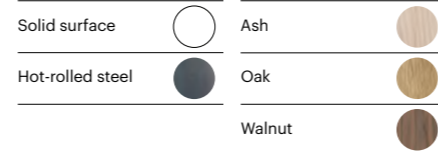
Modules



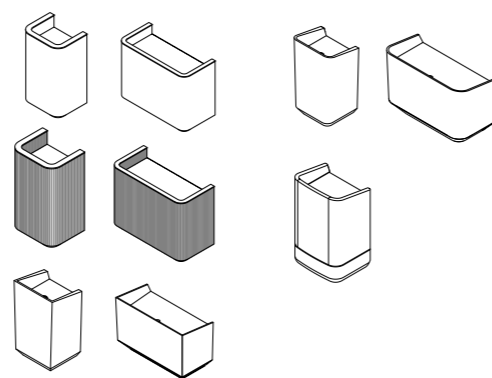
Lectern & Greeters

- CAD and BIM files available
- No installation required
- Optional extras: castors, custom branding, integrated screen, storage units, task lighting, LED skirting
- Cable management included as standard
- Various material and colour options available

Finishes



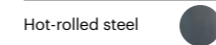
Modules



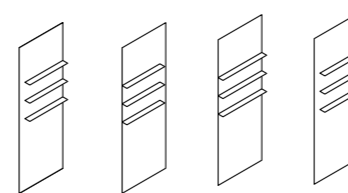
Metal Wall Panels

- CAD and BIM files available
- Easy to specify modular components
- Integrated shelf as an option
- Made using hand-selected hot rolled steel

Finishes



Modules

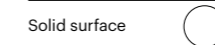


For a full list of our solid surface, fabric and metal powder coated colours, please refer to our colour chart.

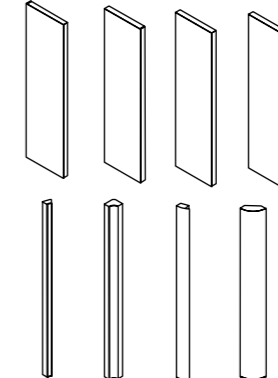
Light Wall Panels

- CAD and BIM files available
- Easy to specify modular components
- Bespoke patterns, branding, directory boards and RGBW lighting options available

Finishes



Modules





Headquarters

UK
6 Seymour Court
Manor Park
Cheshire WA7 1SY
T. +44 (0)161 903 9797
E. info@isomi.com

Locations

New York
newyork@isomi.com

Washington
washington@isomi.com

Chicago
chicago@isomi.com

San Francisco
sanfrancisco@isomi.com

Florida
florida@isomi.com

Boston
boston@isomi.com

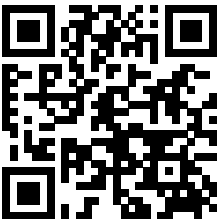
Texas
texas@isomi.com

Atlanta
atlanta@isomi.com

Toronto
toronto@isomi.com

Ireland
ireland@isomi.com

Australia
australia@isomi.com



For more information
visit isomi.com